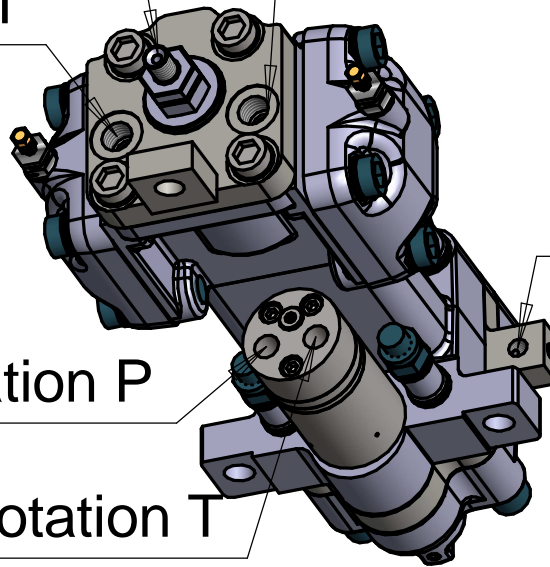


G3/8 male, Flushing

G1/2 Percussion P

G1/2 Percussion T



G1/4 Lubrication

G3/8 Rotation P

G3/8 Rotation T